

Larry Gaines  
Architect

137 A Bridge Street  
Carleton Place, ON  
K7C 2V6

Tel: (613) 257-8095  
Fax: (613) 257-4334  
e-mail: gaines@cyberus.ca

General Notes:

1. Drawings are not to be scaled.
2. All construction to conform to the Ontario Building Code (OBC) 1997 Edition.

004 Tender	03/06/03
003 Prelim. Review	09/05/03
002 Elevs. & Plan	20/03/03
001 Library & Entrance	10/03/03

No. Date

Project Title

**RIDEAU LAKES  
Communitiy Centre/  
Post Office**

ELGIN, ON.

Drawing Title

**Roof  
Plan**

Designed By:

Larry Gaines

Drawn By:

Stephen V. Gartick

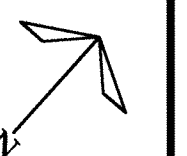
Date:

Jan 8, 2003

Scale:

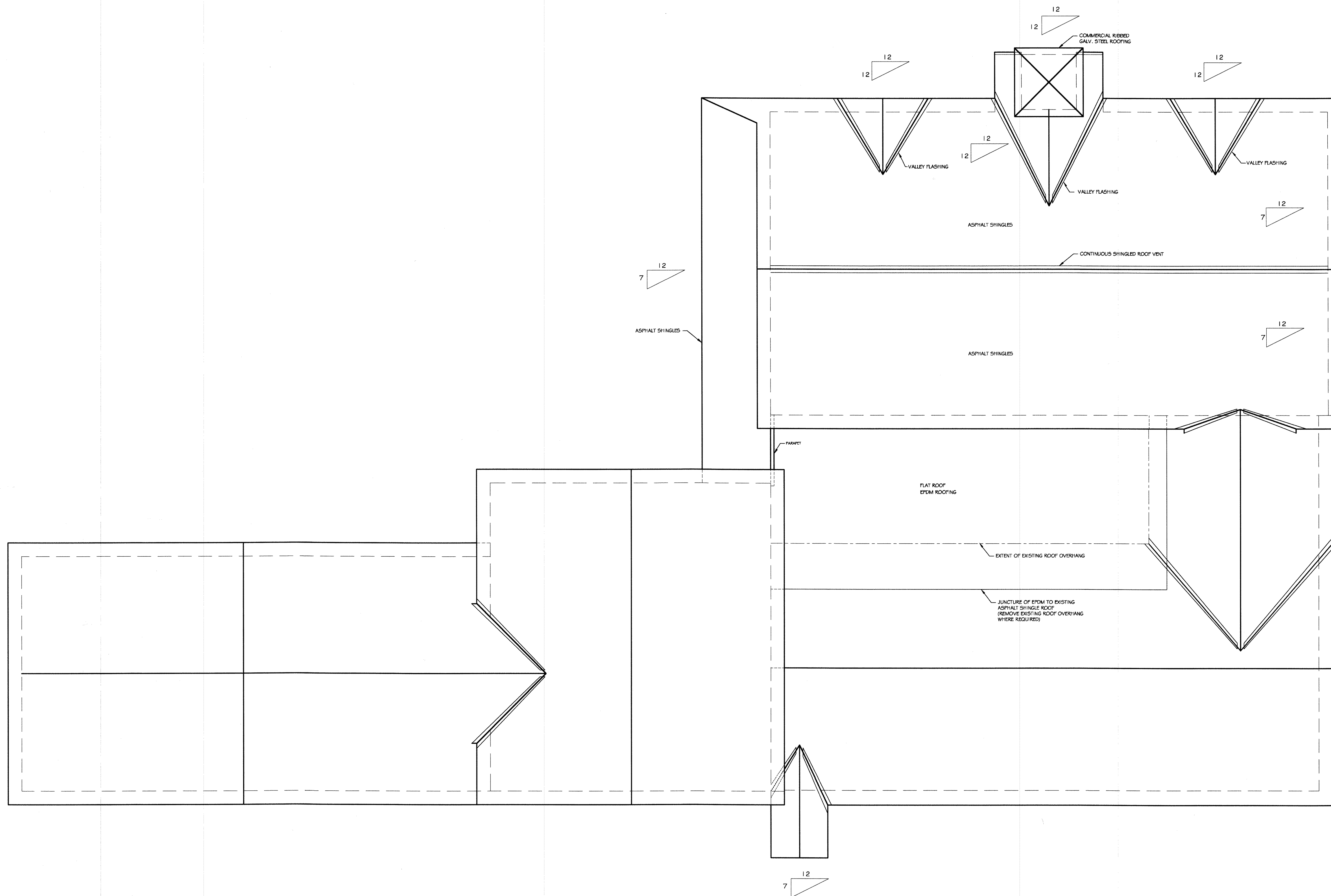
1/8" = 1'

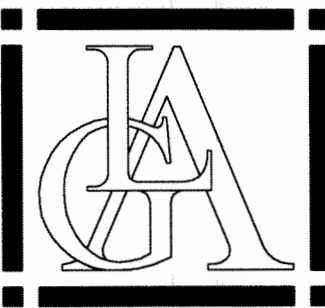
North Arrow



Sheet No.

**A2**





**Larry Gaines**  
Architect

137 A Bridge Street  
Carleton Place, ON  
K7C 2V6

Tel: (613) 257-8095  
Fax: (613) 257-4334  
e-mail: gaines@cyberus.ca

**General Notes:**

1. Drawings are not to be scaled.
2. All construction to conform to the Ontario Building Code (OBC) 1997 Edition.

004 Tender	03/06/03
003 Prelim. Review	09/05/03
002 Elevs. & Plan	20/03/03
001 Library & Entrance	10/03/03

No. \_\_\_\_\_ Date \_\_\_\_\_

Project Title  
**RIDEAU LAKES  
Community Centre/  
Post Office**

ELGIN, ON.

Drawing Title

**Floor  
Plan**

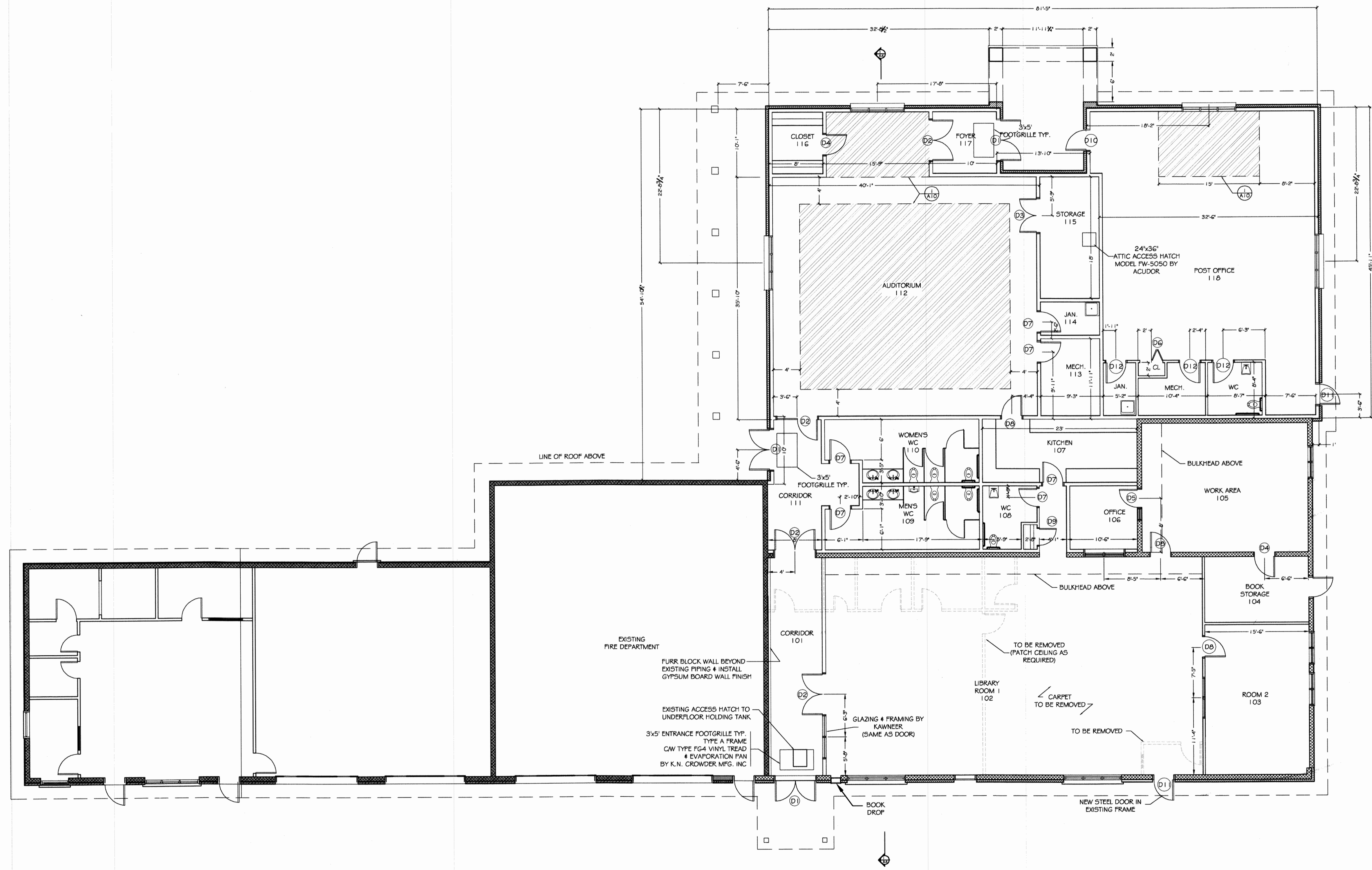
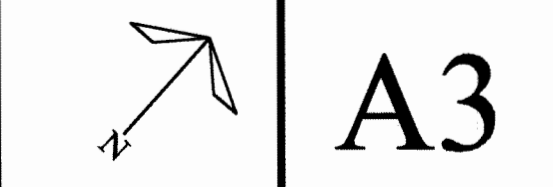
Designed By: Larry Gaines

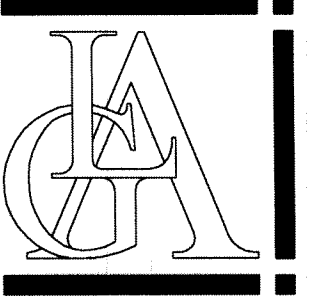
Drawn By: Stephen V. Garlick

Date: Jan 8, 2003

Scale: 1/8" = 1'

North Arrow Sheet No.



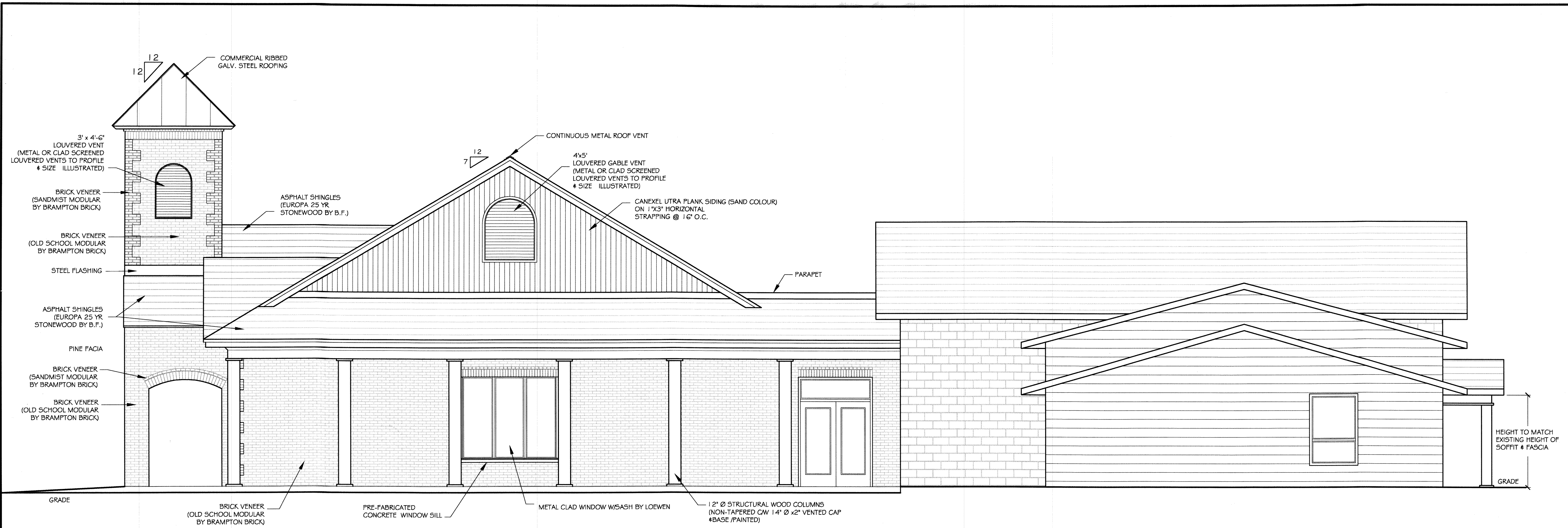


Larry Gaines  
Architect

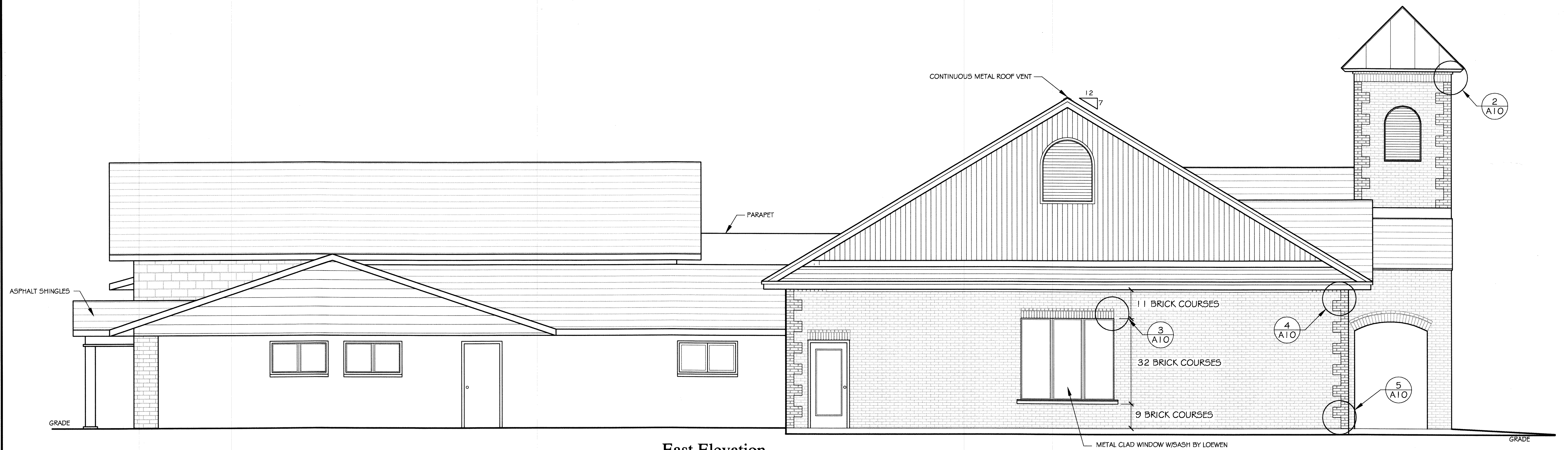
137 A Bridge Street  
Carleton Place, ON  
K7C 2V6  
Tel: (613) 257-8095  
Fax: (613) 257-4334  
e-mail: gaines@cyberus.ca

General Notes:

1. Drawings are not to be scaled.
2. All construction to conform to the Ontario Building Code (OBC) 1997 Edition.



West Elevation



East Elevation

004 Tender	03/06/03
003 Prelim. Review	09/05/03
002 Elevs. & Plan	20/03/03
001 Library & Entrance	10/03/03
No.	Date

Project Title

RIDEAU LAKES  
Community Centre/  
Post Office  
ELGIN, ON.

Drawing Title

East and West  
Elevations

Designed By: Larry Gaines

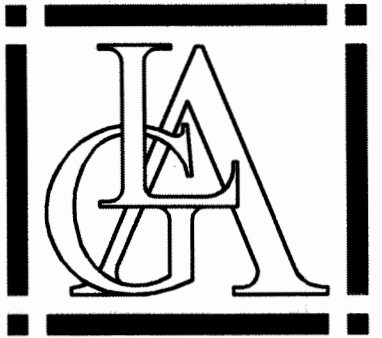
Drawn By: Stephen V. Gartick

Date: Jan 8, 2003

Scale: 1/8" = 1'

North Arrow Sheet No.

A7



**Larry Gaines**  
Architect

137 A Bridge Street  
Carleton Place, ON  
K7C 2V6

Tel: (613) 257-8095  
Fax: (613) 257-4334  
e-mail: gains@cyberus.ca

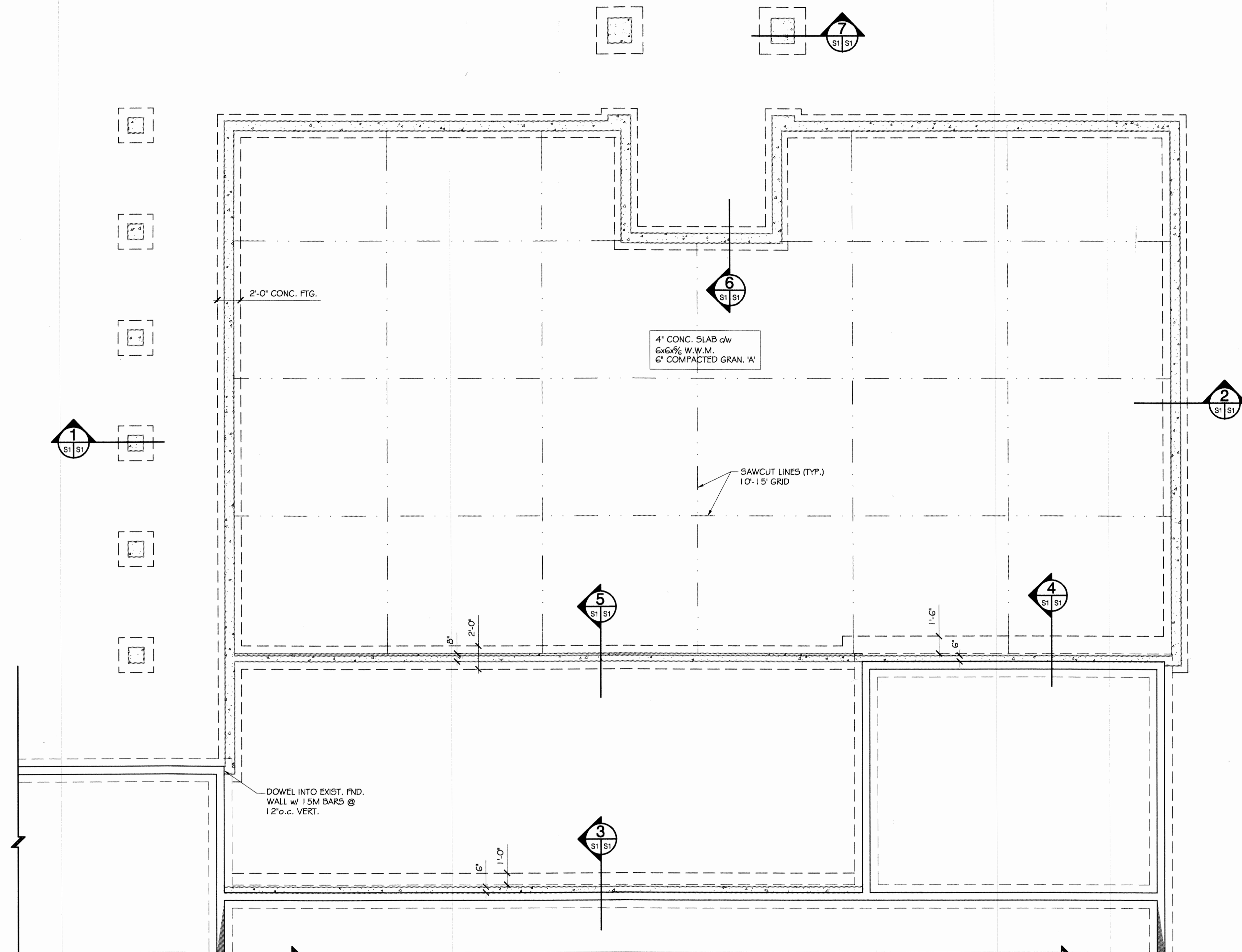


Brockville Centre  
155 Stewart Blvd. Suite 212  
Brockville, Ont. K0V 4W4

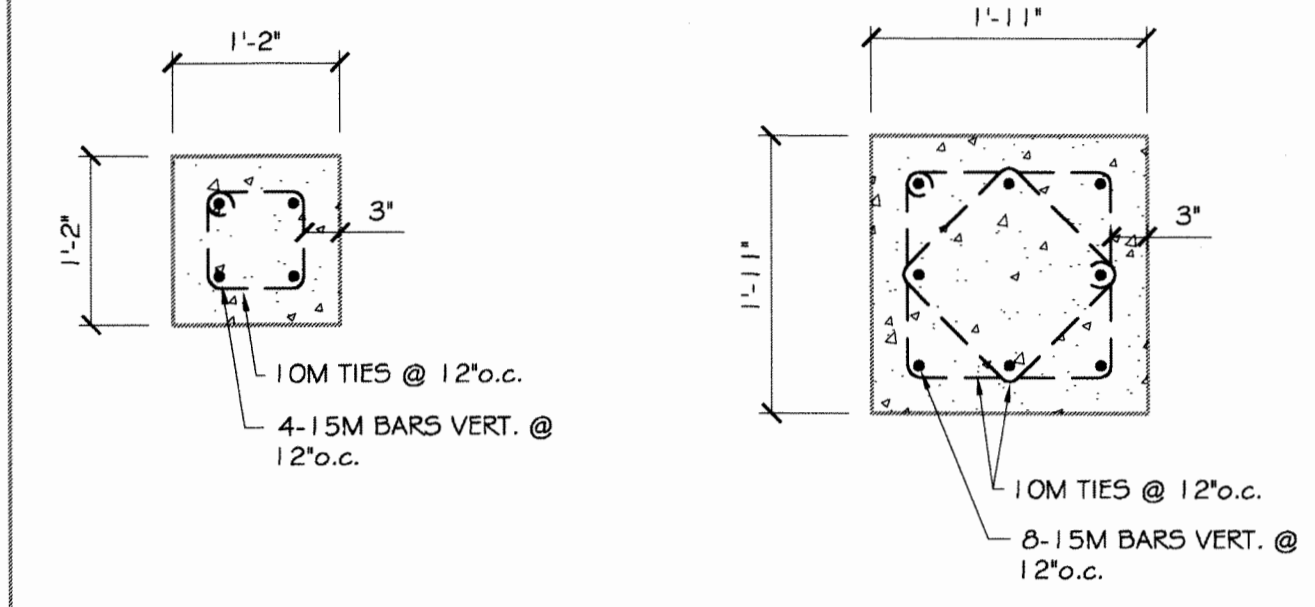
Telephone: (613) 345-0400  
Facsimile: (613) 345-0008  
E-Mail: easteng@recorder.ca

**NOTES:**

1. ALL WORK TO BE DONE IN ACCORDANCE WITH THE LATEST EDITION OF THE ONTARIO BUILDING CODE.
2. CONCRETE FOOTINGS TO BE 20MPa AT 28 DAYS, CONCRETE WALLS TO BE 25MPa AT 28 DAYS w/ 6% AIR AT TIME OF PLACING, SLUMP TO BE 3"± 1/2". CONCRETE FOR FLOOR SLAB TO BE 25 MPa AT 28 DAYS.
3. CONCRETE WORK TO CAN A23.1 AND A23.3, 4. FOUNDATION WALLS TO HAVE 6% AIR AT TIME OF PLACING.
4. REINFORCING STEEL TO G30.5, Fy=400MPa.
5. ENGINEER TO INSPECT BOTTOM OF FOOTINGS AND PIER FORMS PRIOR TO PLACING CONCRETE.
6. DESIGN BASE ON BEARING CAPACITY OF 2000lb/sq.ft.
7. CONTRACTOR TO VERIFY ALL DIMENSIONS.

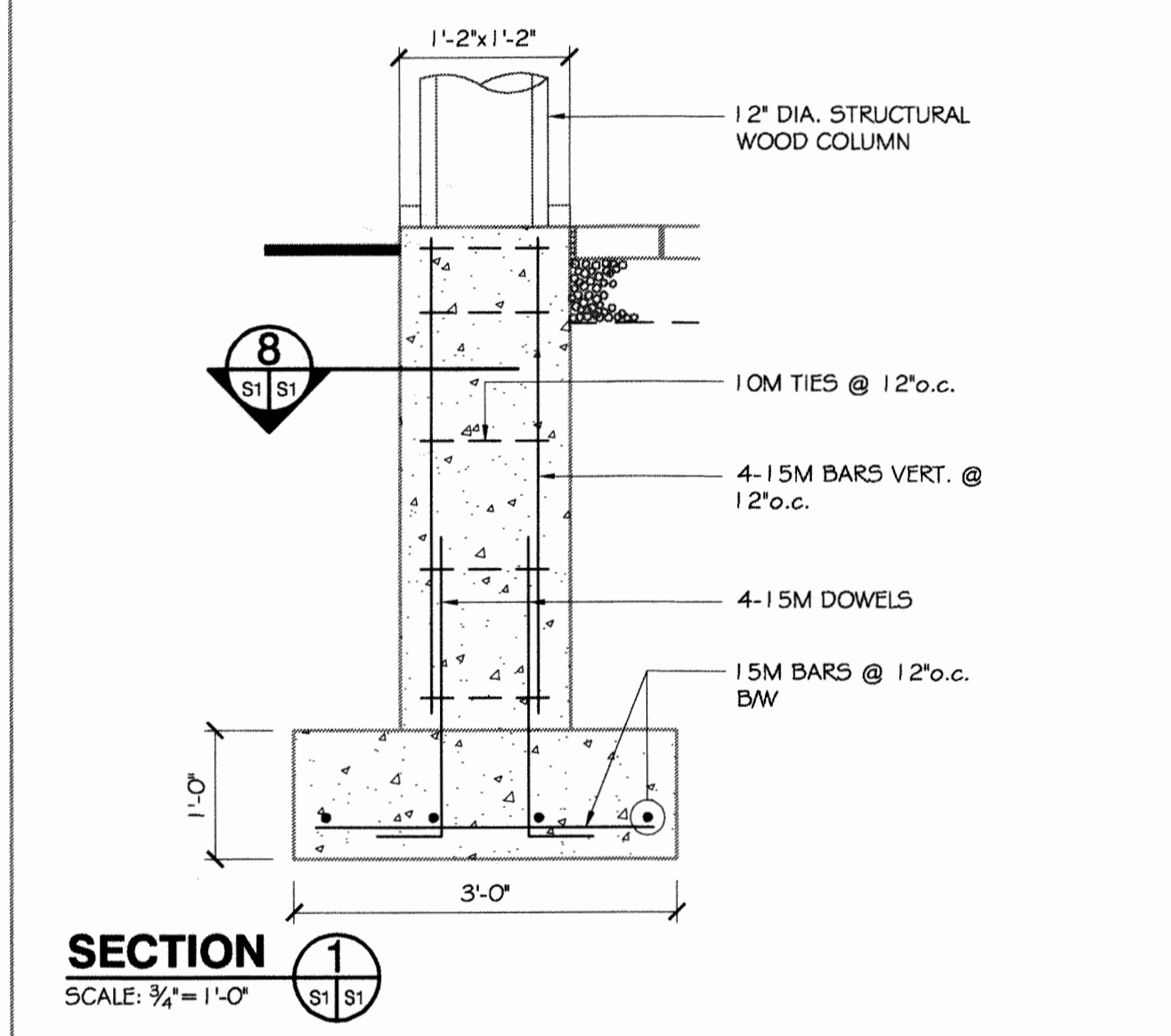


**FOUNDATION PLAN**  
SCALE: 3/4" = 1'-0"



**SECTION 8**  
SCALE: 3/4" = 1'-0"

**SECTION 9**  
SCALE: 3/4" = 1'-0"



**SECTION 1**  
SCALE: 3/4" = 1'-0"

No.	Date
Project Title	

**RIDEAU LAKES**  
ELGIN, ON.

Drawing Title  
**Proposed Foundation Plan**

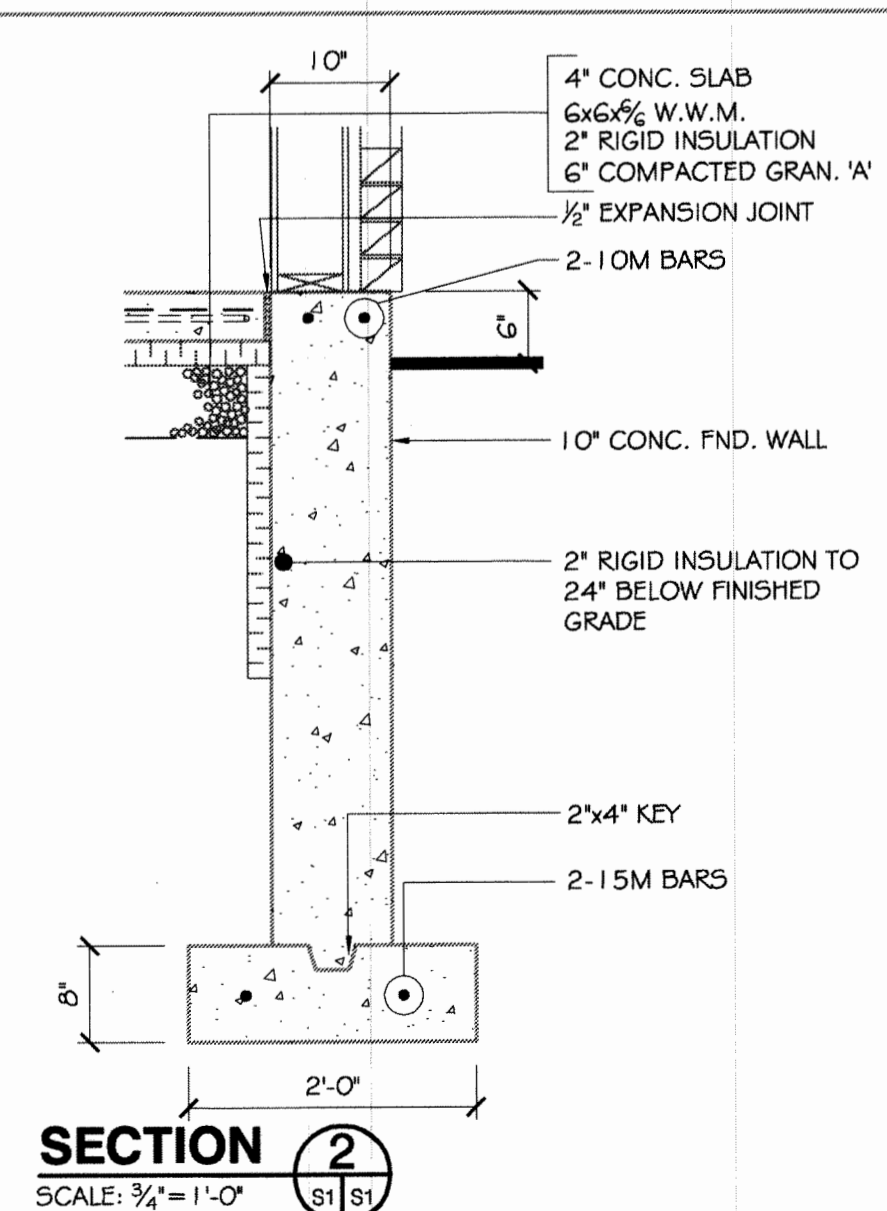
Designed By: Larry Fancy

Drawn By: Greg Ham

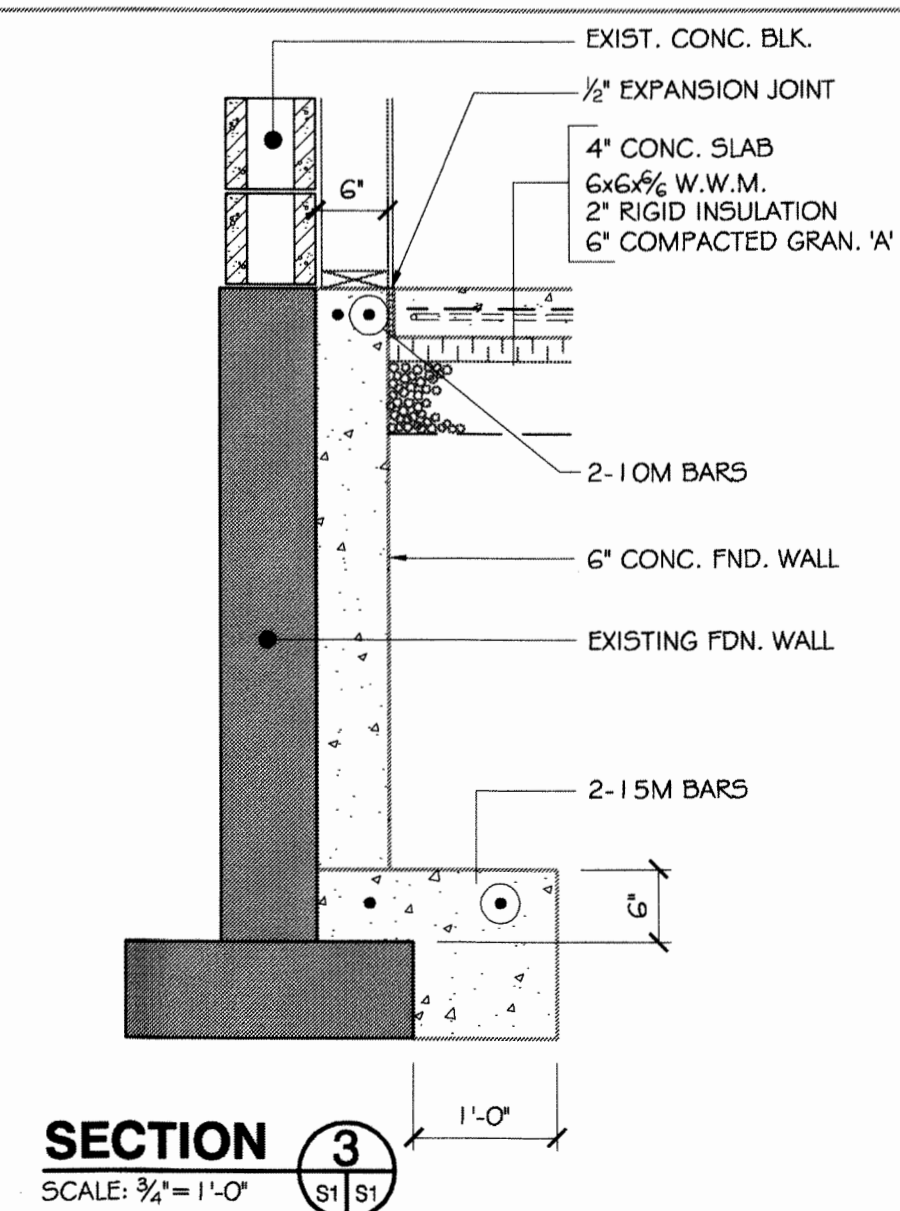
Date: April, 2003

Scale: 1/8" = 1'-0"

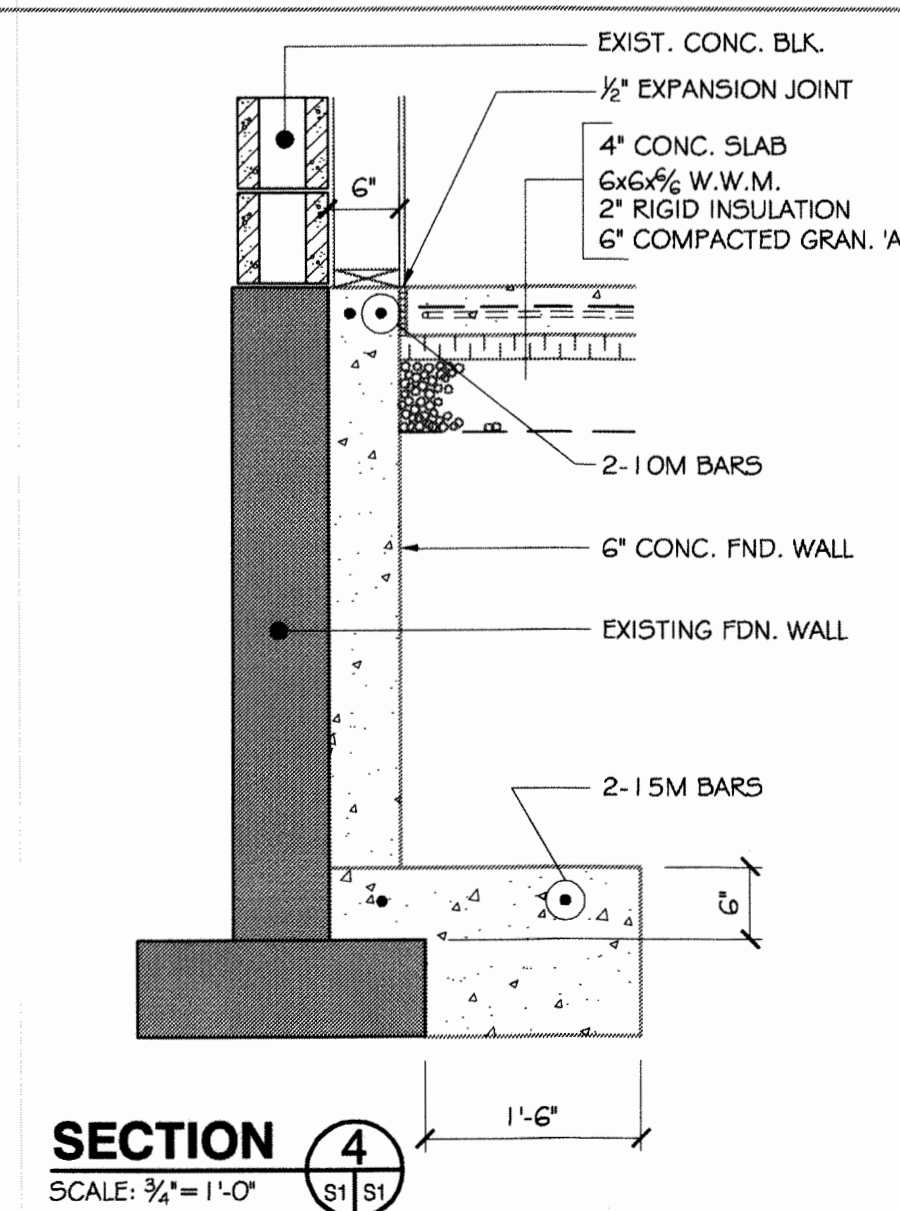
North Arrow  
Sheet No. **S1**



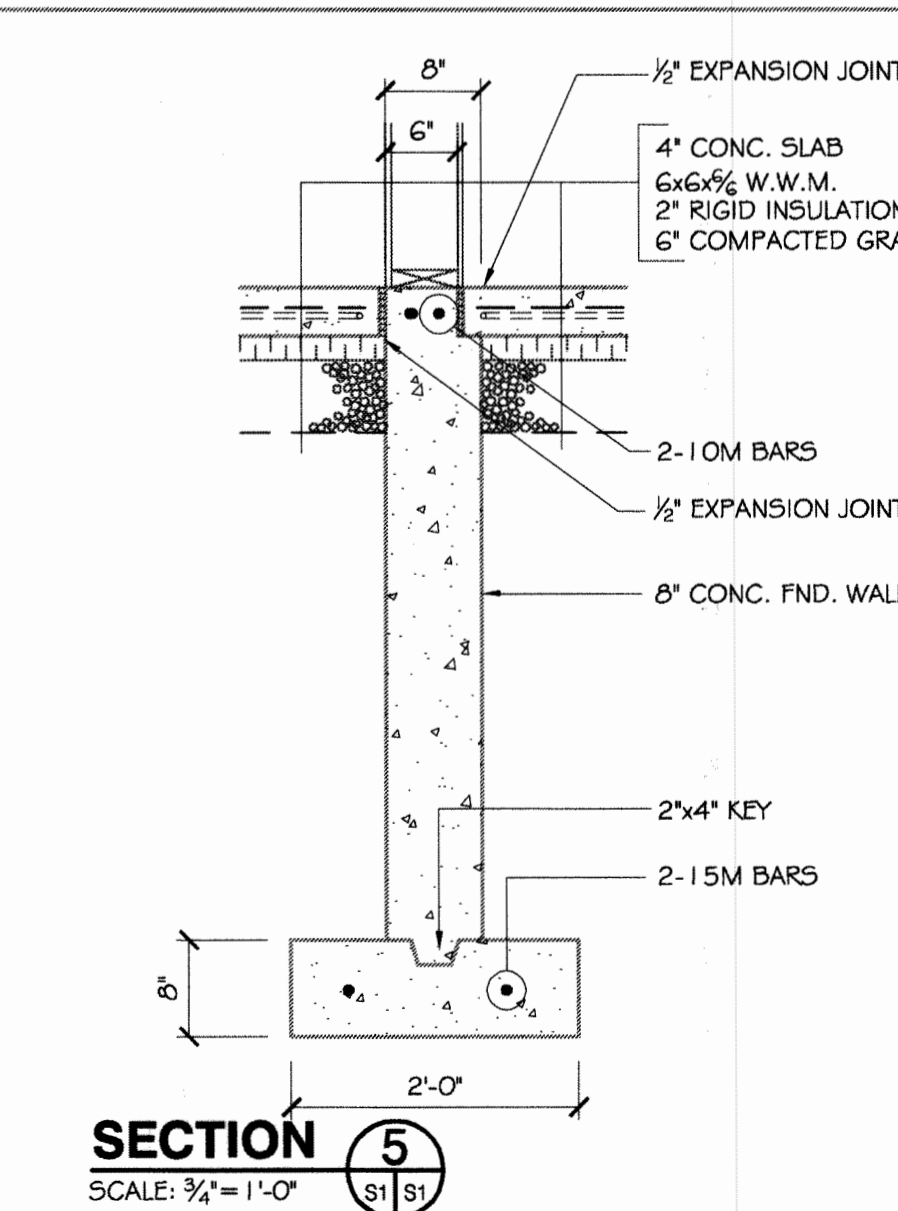
**SECTION 2**  
SCALE: 3/4" = 1'-0"



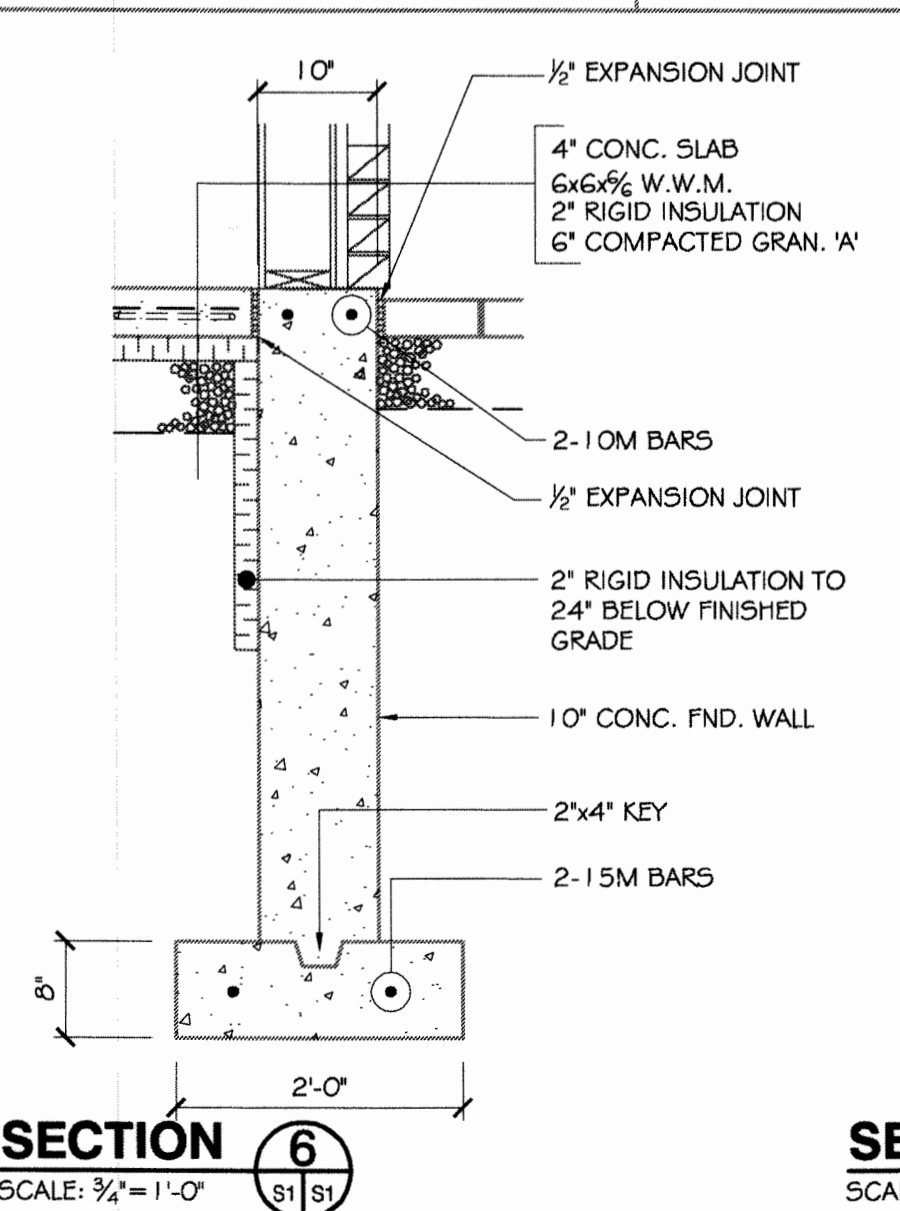
**SECTION 3**  
SCALE: 3/4" = 1'-0"



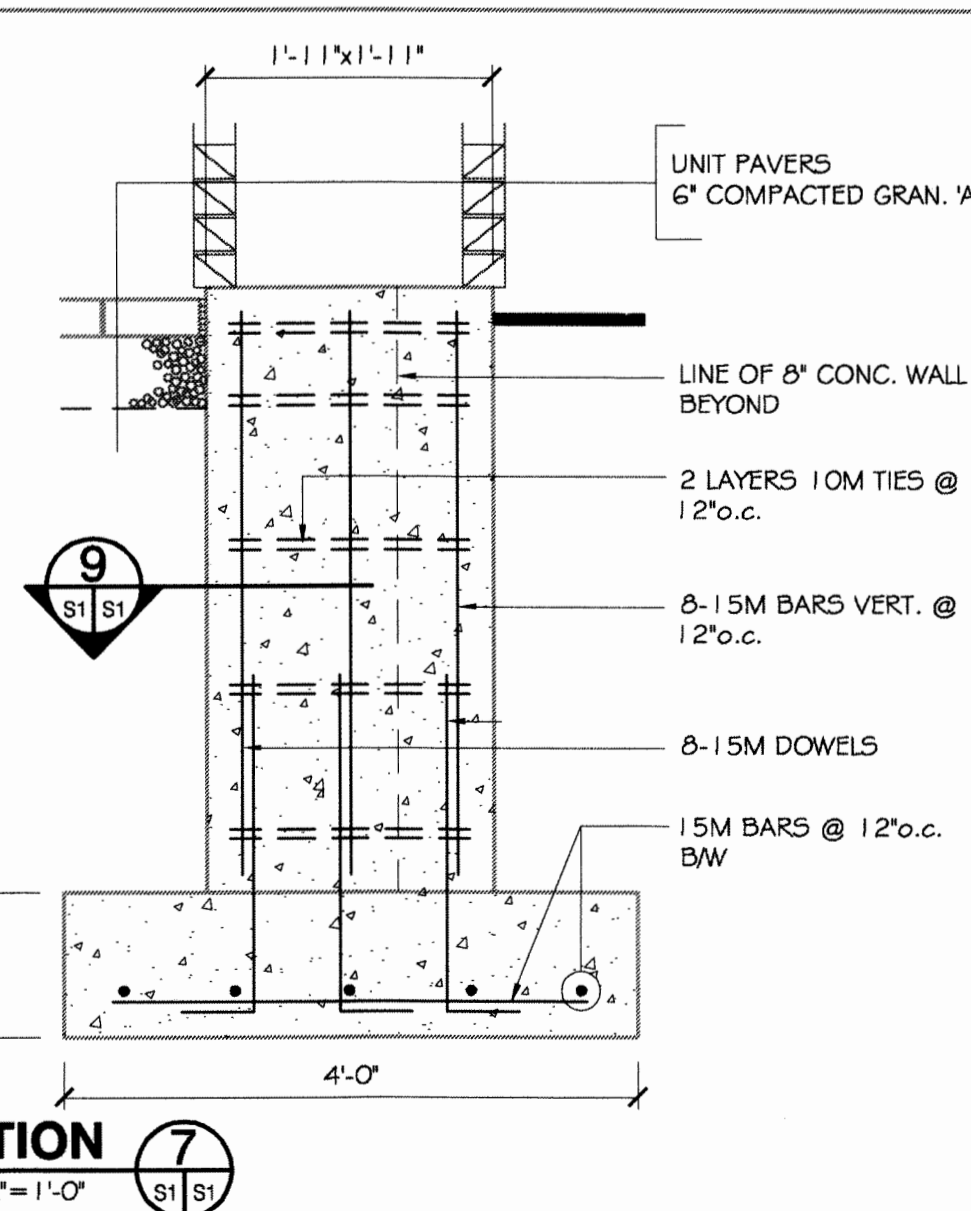
**SECTION 4**  
SCALE: 3/4" = 1'-0"



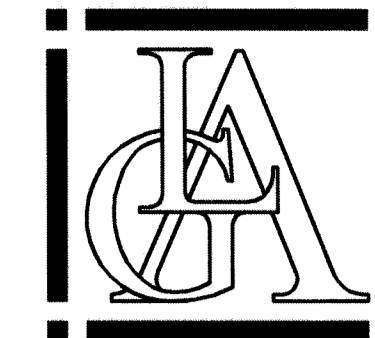
**SECTION 5**  
SCALE: 3/4" = 1'-0"



**SECTION 6**  
SCALE: 3/4" = 1'-0"



**SECTION 7**  
SCALE: 3/4" = 1'-0"



**Larry Gaines**  
Architect

137 A Bridge Street  
Carleton Place, ON  
K7C 2V6

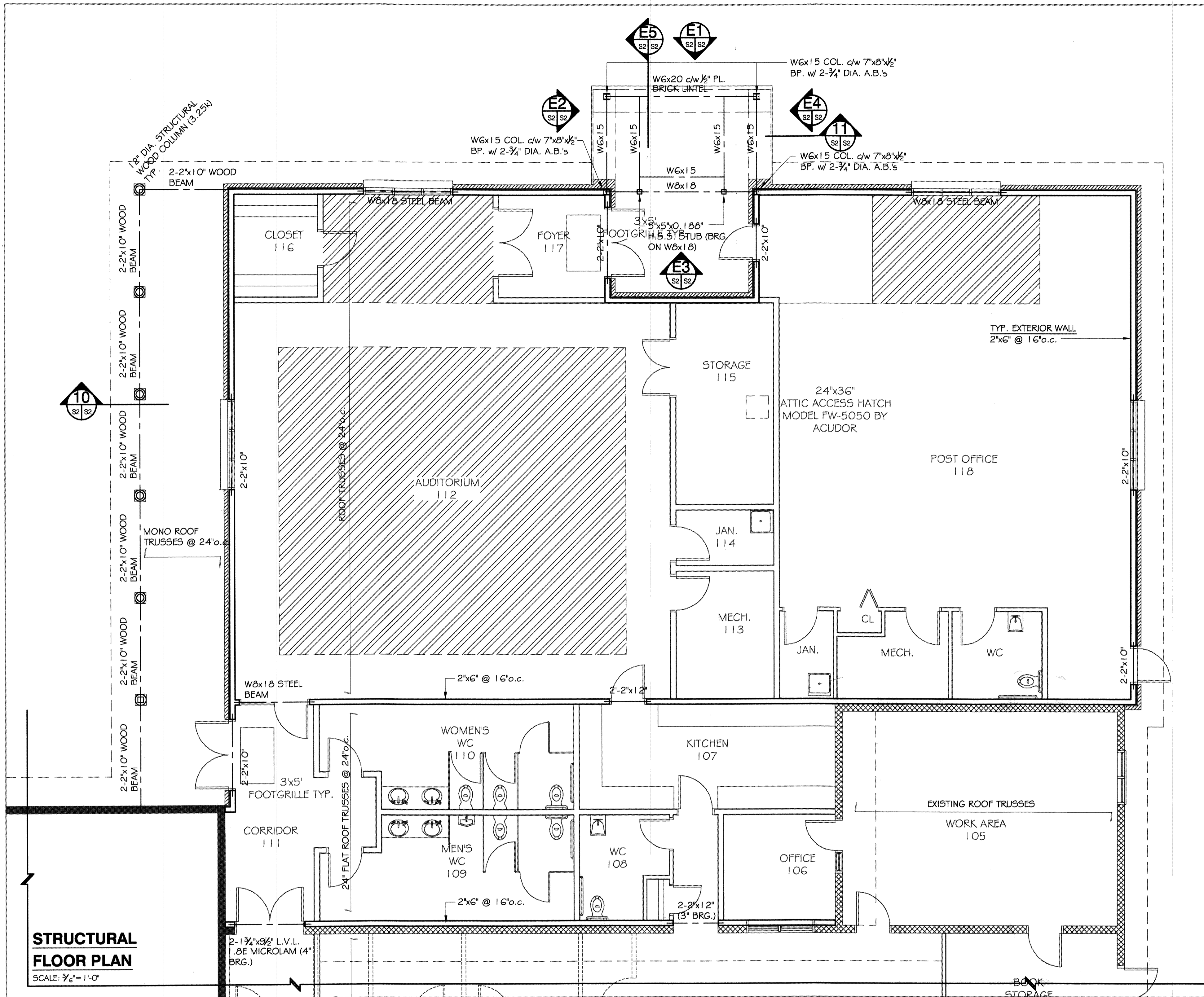
Tel: (613) 257-8095  
Fax: (613) 257-4334  
e-mail: gainses@cyberus.ca

**EASTERN**  
**ENGINEERING GROUP INC.**  
CONSULTING ENGINEERS

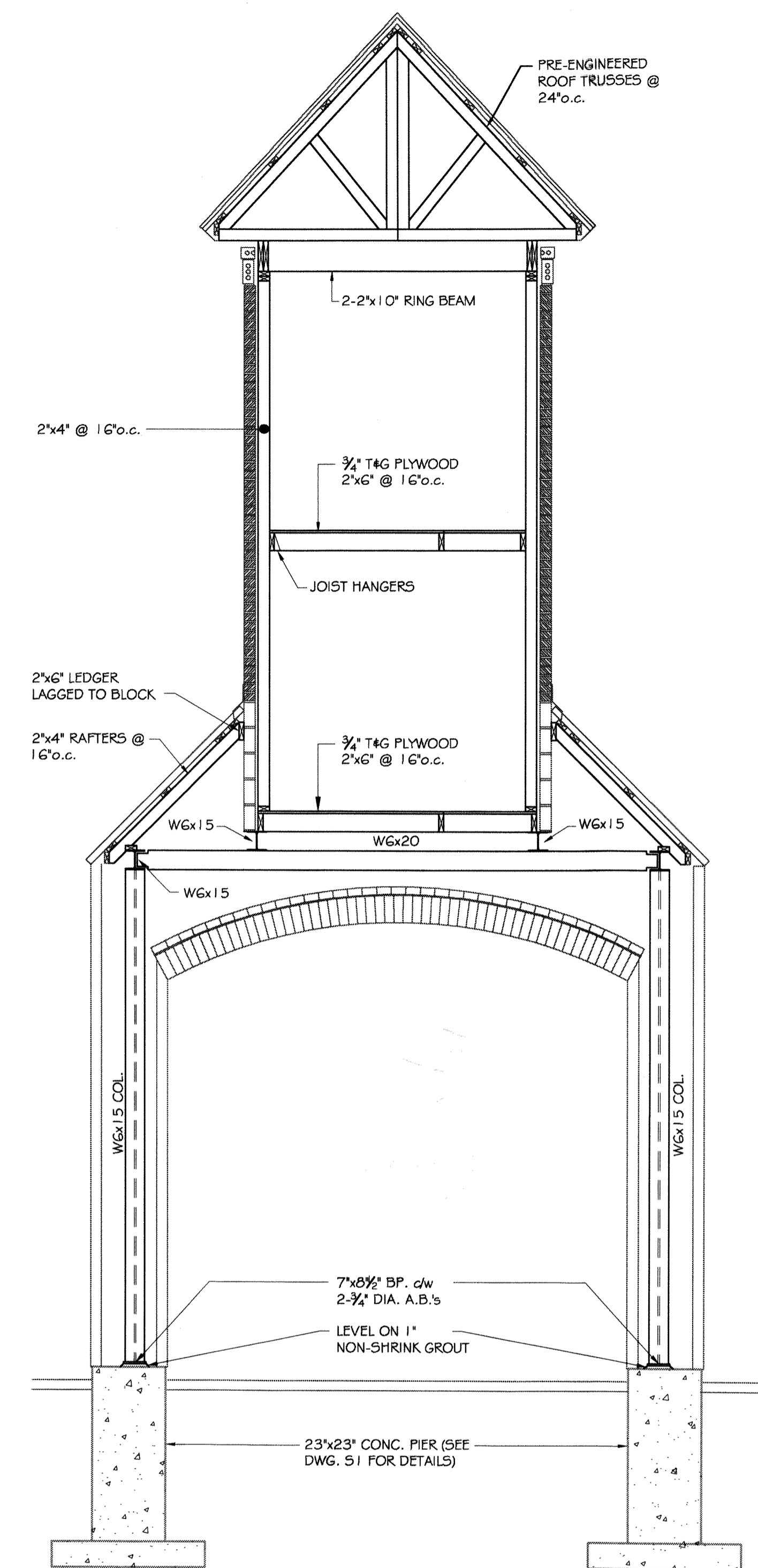
Brockville Centre  
125 Stewart Blvd. Suite 212  
Brockville, Ont. K6H 4W4  
Telephone: (613) 345 0400  
Facsimile: (613) 345-0008  
E-Mail: eastern@engr.com

**NOTES:**

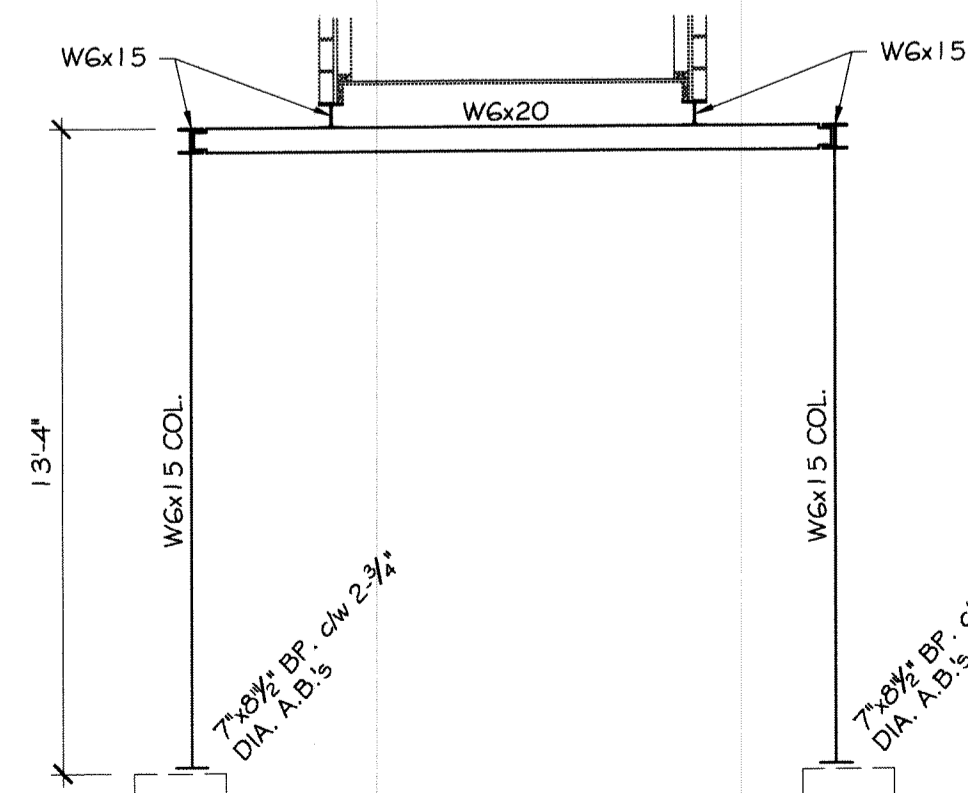
1. ALL STEEL SHALL CONFORM TO CSA G40.21, ALL STEEL TO BE 44ksi W. 1155 TO BE 50ksi.
2. STEEL TO BE FABRICATED AND ERECTED TO CANCSA 51 G. 1.
3. BOLTS TO BE 3/4" DIAMETER ASTM A325 BEARING BOLTS.
4. ALL WELDING TO BE WITH E460XX ELECTRODES TO CSA W59. ALL WELDING BY PERSONNEL AND COMPANIES LICENSED BY THE CANADIAN WELDING BUREAU CSAW 47.1.
5. CONTRACTOR TO VERIFY ALL DIMENSIONS PRIOR TO START OF CONSTRUCTION.



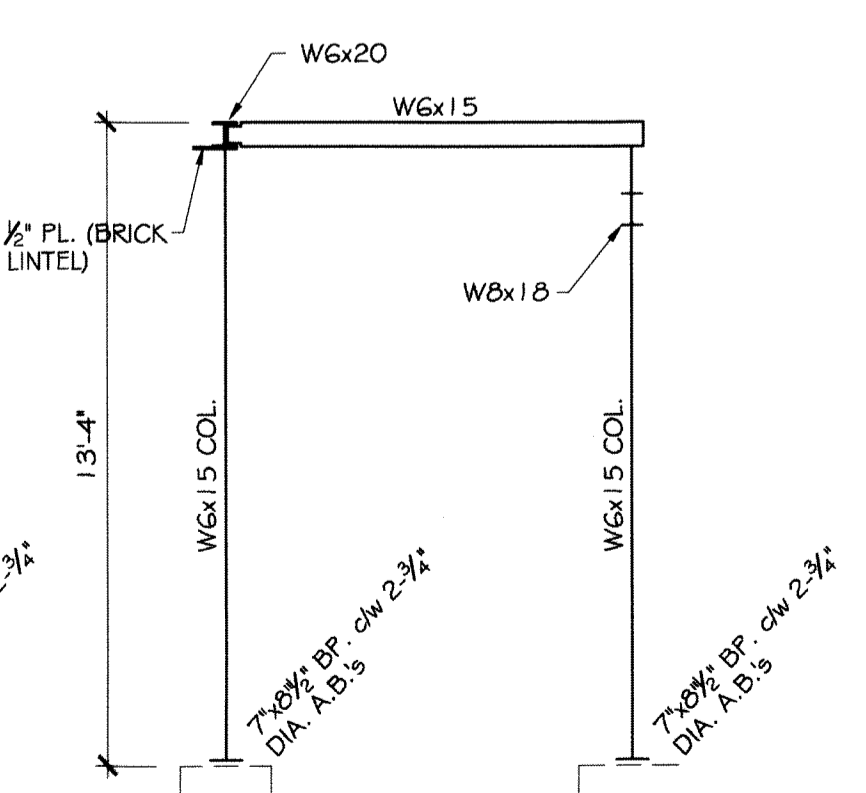
**STRUCTURAL FLOOR PLAN**  
SCALE: 1/8" = 1'-0"



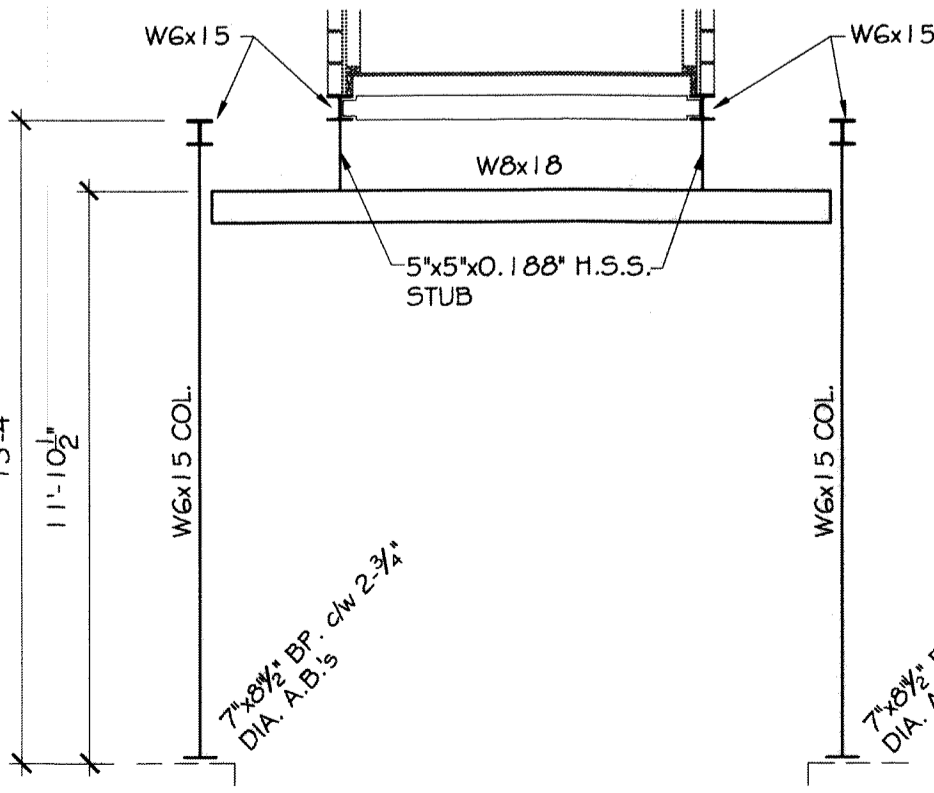
**SECTION 11**  
SCALE: 3/8" = 1'-0"



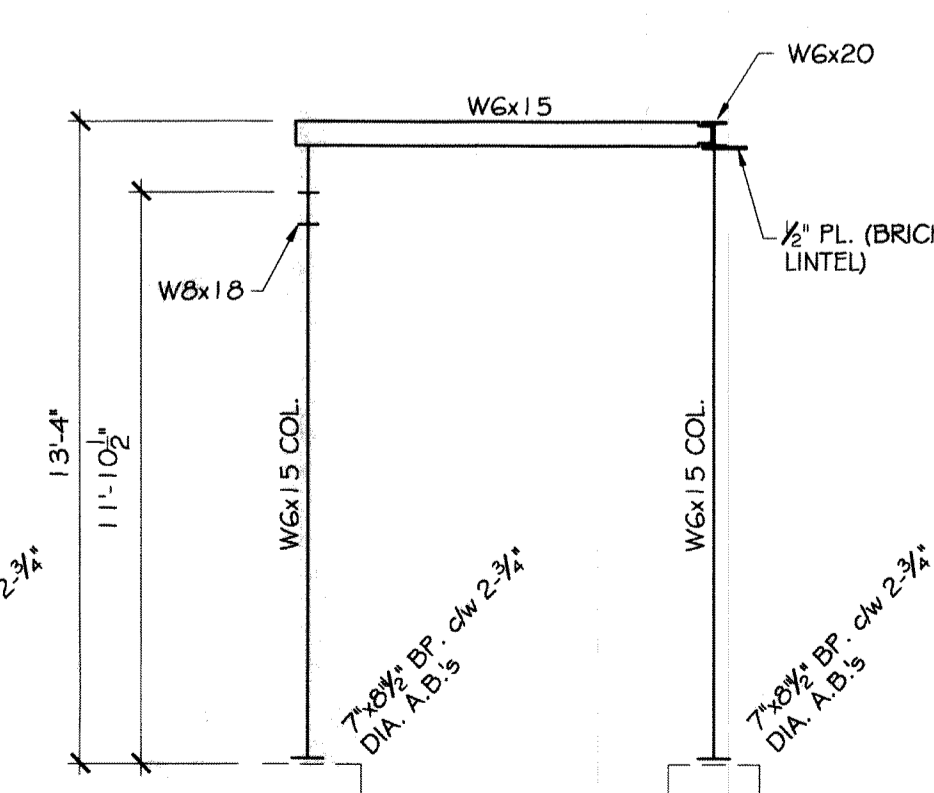
**STEEL ELEV. E1**  
SCALE: 1/4" = 1'-0"



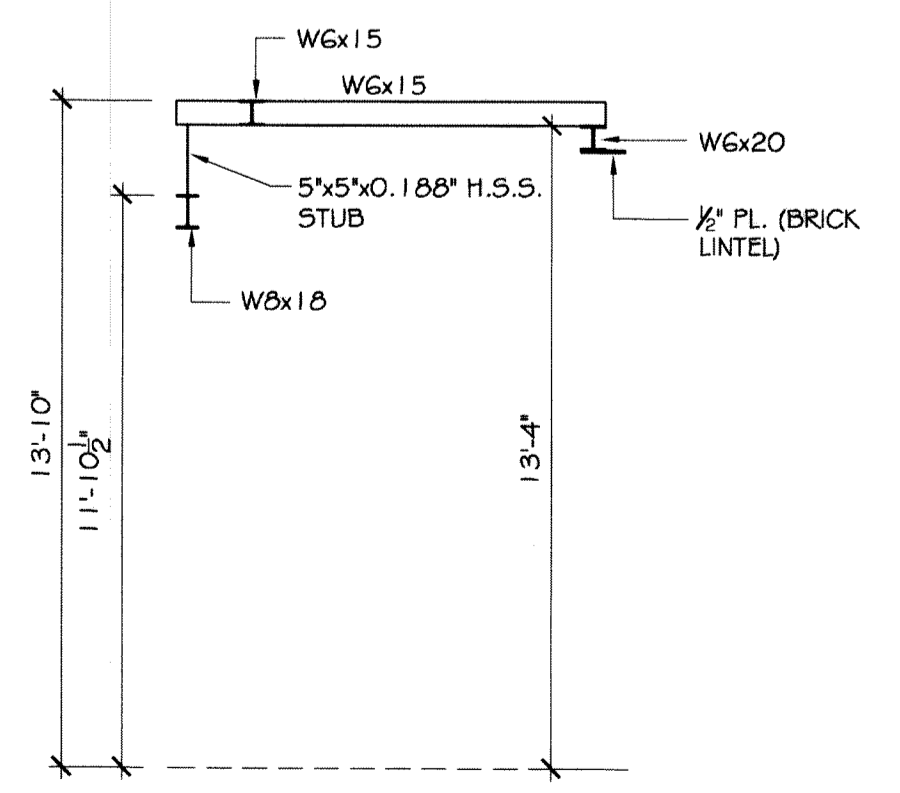
**STEEL ELEV. E2**  
SCALE: 1/4" = 1'-0"



**STEEL ELEV. E3**  
SCALE: 1/4" = 1'-0"



**STEEL ELEV. E4**  
SCALE: 1/4" = 1'-0"



**STEEL ELEV. E5**  
SCALE: 1/4" = 1'-0"

No.	Date

Project Title

**RIDEAU LAKES**

ELGIN, ON.

Drawing Title

**Proposed Structural Plan**

Designed By: Larry Fancy

Drawn By: Greg Ham

Date: April, 2003

Scale: 1/8" = 1'-0"

North Arrow

Sheet No. **S2**